

**SPECIFICATIONS**

**MINI PCI Socket**

**Mechanical**

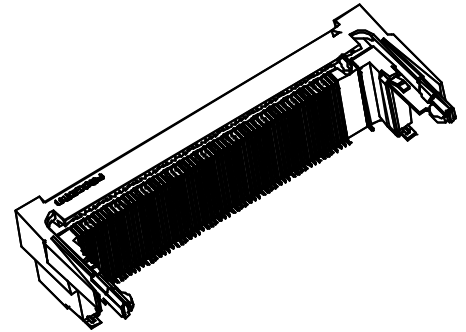
**Contact Retention Force:** 0.10kg min.  
**Durability :** 25 Cycles.

**Electrical**

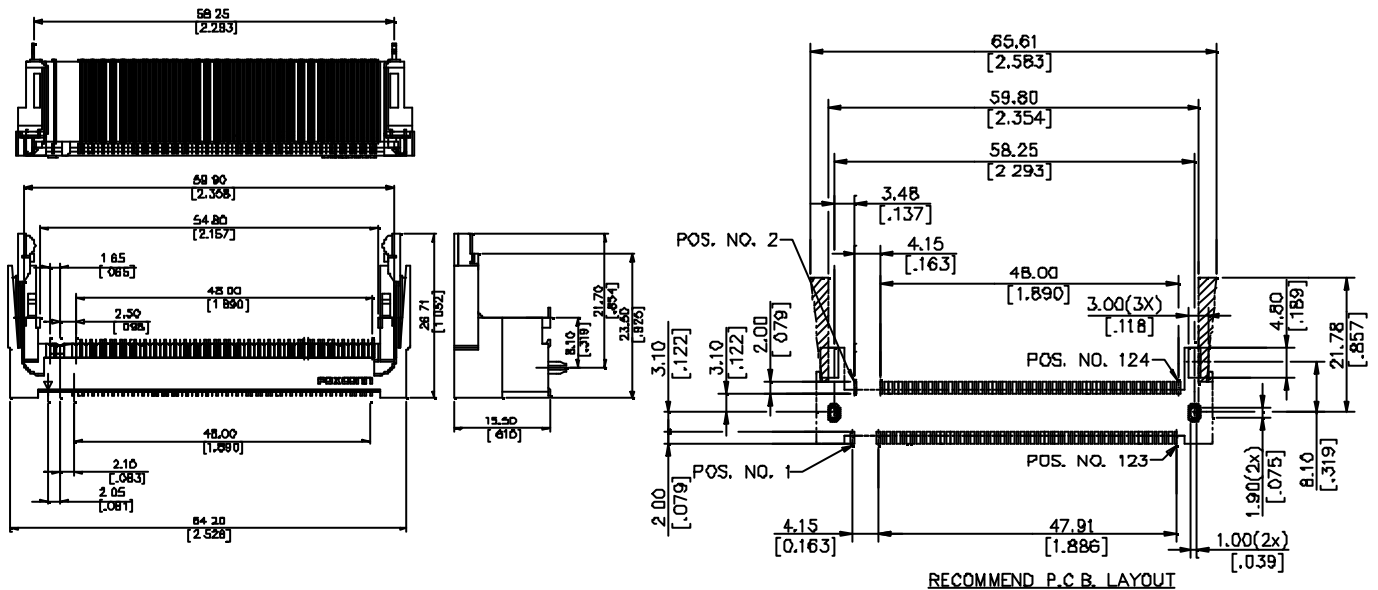
**Voltage Rating:** 25V  
**Current Rating:** 0.3A  
**Contact Resistance:** 50mW max.  
**Dielectric Withstanding Voltage:** 250V AC/1 min.  
**Insulation Resistance:** 100MW

**Physical**

**Housing:** Thermoplastic, UL 94V-0 rated in Ivory Color  
**Contact:** Copper alloy  
**Plating:** See "ORDERING INFORMATION"  
**Metal Spring:** Copper alloy  
**Operating Temperature:** -40 to +85



**DRAWING**



**ORDERING INFORMATION**

